

Digital Textile Thickness Measuring Instrument Model: ADL-TTM12

Application

Thickness measuring method for tested piece for physical test such as rubber, heat plasticity Elastomer, plastic film, cloth, textile, leathers are ruled in detail by JIS or ISO. PG/PF series are digital type thickness measuring instrument in compliance with these major standard. Stand type (fixed type) and frame type (handy type) are widely used for test & research dept., quality control dept. and manufacturing dept.

Technical Data

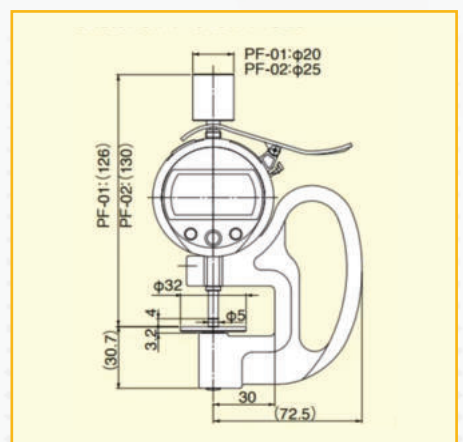
- Model : ADL-TTM12
- Resolution (Mm) : 0.001
- Measuring Range(Mm) : 12
- Load (Measuring Force) : $1.22 \pm 0.14 \text{mN} (125 \text{gf} \pm 15 \text{gf})$
 $1226 \pm 143 \text{mN} (125 \text{gf} \pm 15 \text{gf})$
- Contact Point Ød (Mm) : Ø5

Standard Parameter

- Standard : Similar to DIN EN ISO 5084
- Application : Textiles and Non-woven textiles
- Feeler Ø : 50.42mm
- Feeler Area : 20 cm²
- Pressure : 1 kPA

Optional

Standard	Application	Feeler Ø	Feeler Area	Pressure
similar to DIN EN ISO 9073-2	Standard fleece	56.42mm	25 cm ²	0.5 kPA
similar to DIN EN ISO 53326	Leather	10mm	0.785 cm ²	49.1 kPA
ASTM D1777-1	Woven, Knit, Textured Fabrics	28.7mm	1 in ²	4.14 kPA
ASTM D1777-2	Coated & Narrow Fabrics, Webbings, Tapes, Ribbons, Braids	9.5mm	0.110 in ²	23.4 kPA



**Technical Data Subject to change without notice.*

AdLab is a globally recognized brand specializing in the manufacturing and supply of high-quality laboratory equipment and textile testing instruments. With over 15 years of experience, we are committed to delivering precision-engineered solutions that meet the needs of industries such as textiles, pharmaceuticals, research laboratories, and educational institutions. Our products are designed to enhance efficiency, accuracy, and reliability in scientific and industrial applications.

Our Skill

At AdLab, we combine expertise in precision engineering with advanced laboratory technology to create innovative and reliable testing instruments. Our team of skilled professionals continuously works on improving product designs, integrating the latest advancements in technology, and ensuring compliance with international quality standards. With a strong focus on research and development, we provide customized solutions that cater to the unique needs of our customers worldwide.

Our Products

AdLab offers a wide range of high-quality laboratory and textile testing instruments, including Yarn & Fiber Testing Instruments, Laboratory Fume Hood Chambers, Ovens & Incubators, Water Baths, Textile Testing Instruments, Dyeing & Finishing Machines, Ceramic Testing, Tensile Testing, Washers & Dryers, Needle Detectors, and In-House Testing Equipment. Designed for precision and efficiency, our products ensure accurate testing and reliable performance across various industries.

Our Services

At AdLab, customer satisfaction is our top priority. We provide comprehensive support services to ensure the smooth operation of our equipment, including:

- ✓ 24/7 Technical Support Team – Our highly trained technical support team is available around the clock to assist with troubleshooting, maintenance, and operational guidance. Whether you need immediate assistance or expert advice, we are always ready to help.
- ✓ Installation & Training – We offer professional installation services and hands-on training to help users operate our equipment efficiently.
- ✓ Calibration & Maintenance – Regular calibration and maintenance services ensure that your laboratory instruments remain accurate and in optimal working condition.
- ✓ Customized Solutions – We provide tailored solutions to meet specific industry requirements, helping our clients achieve maximum efficiency in their operations.

Global Networks



Bangladesh • Brazil • China • Hong Kong • India • Ireland • Italy • UK • USA • Vietnam

AdLab Instruments Co., Ltd

★ RM 602, 6/F, Kaiyue Comm Building, No.2C, Argyle Street, Mongkok Kowloon, Hong Kong

🇮🇪 20A Cuil Na Carriage, Ballymakeera, Co-Cork, Ireland (EU)

✉ info@adlabinstruments.com 🌐 www.adlabinstruments.com